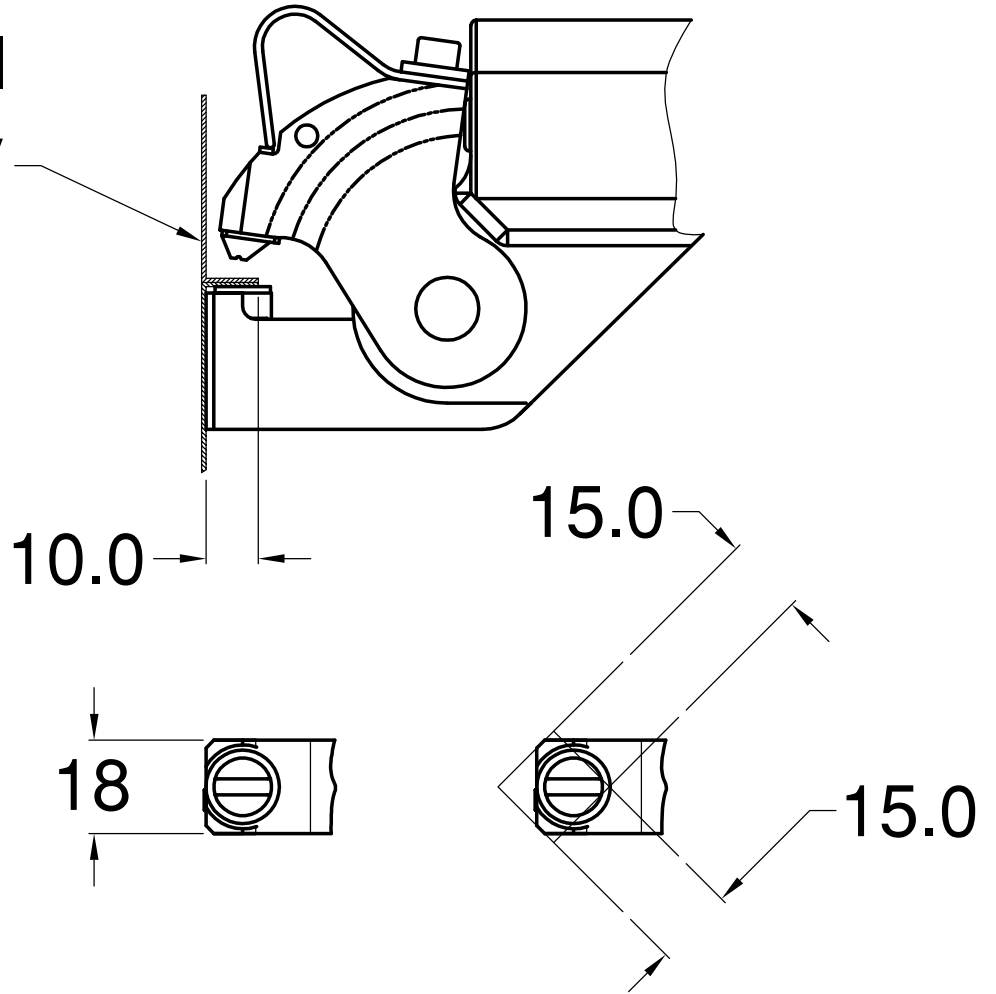


sheet metal
to assembly



sheet metal
to assembly

